

Perimeter Top – It

Materials: Perimeter cards, scrap paper & pencil

Number of Players: 2 or 3

Directions:

A player shuffles the perimeter cards and places the deck picture-side down on the playing surface.

Players turn over one card each.

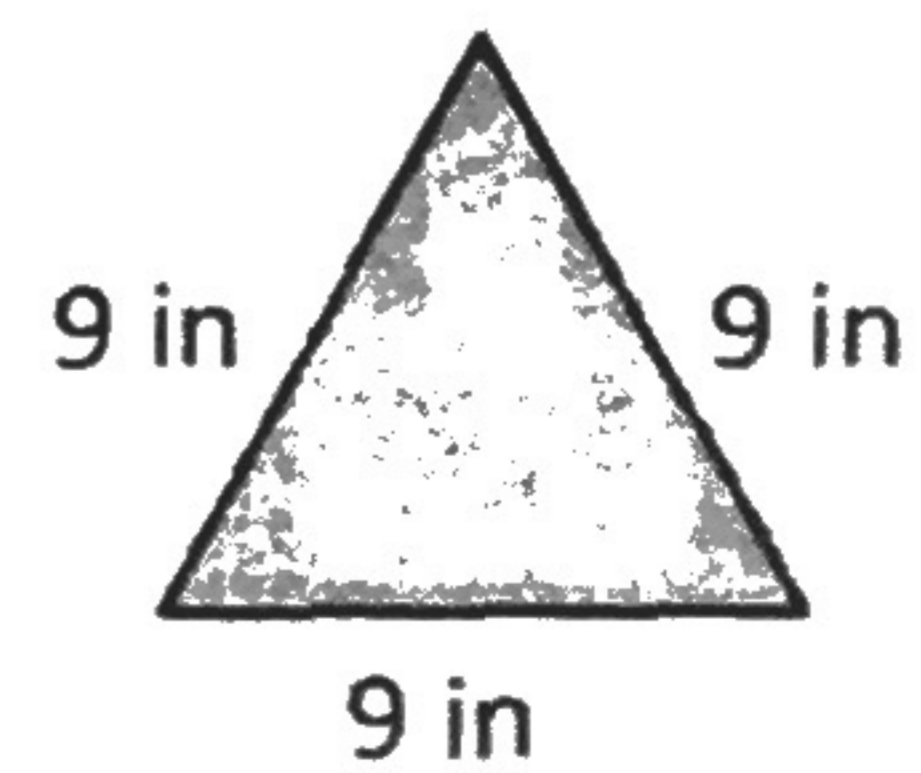
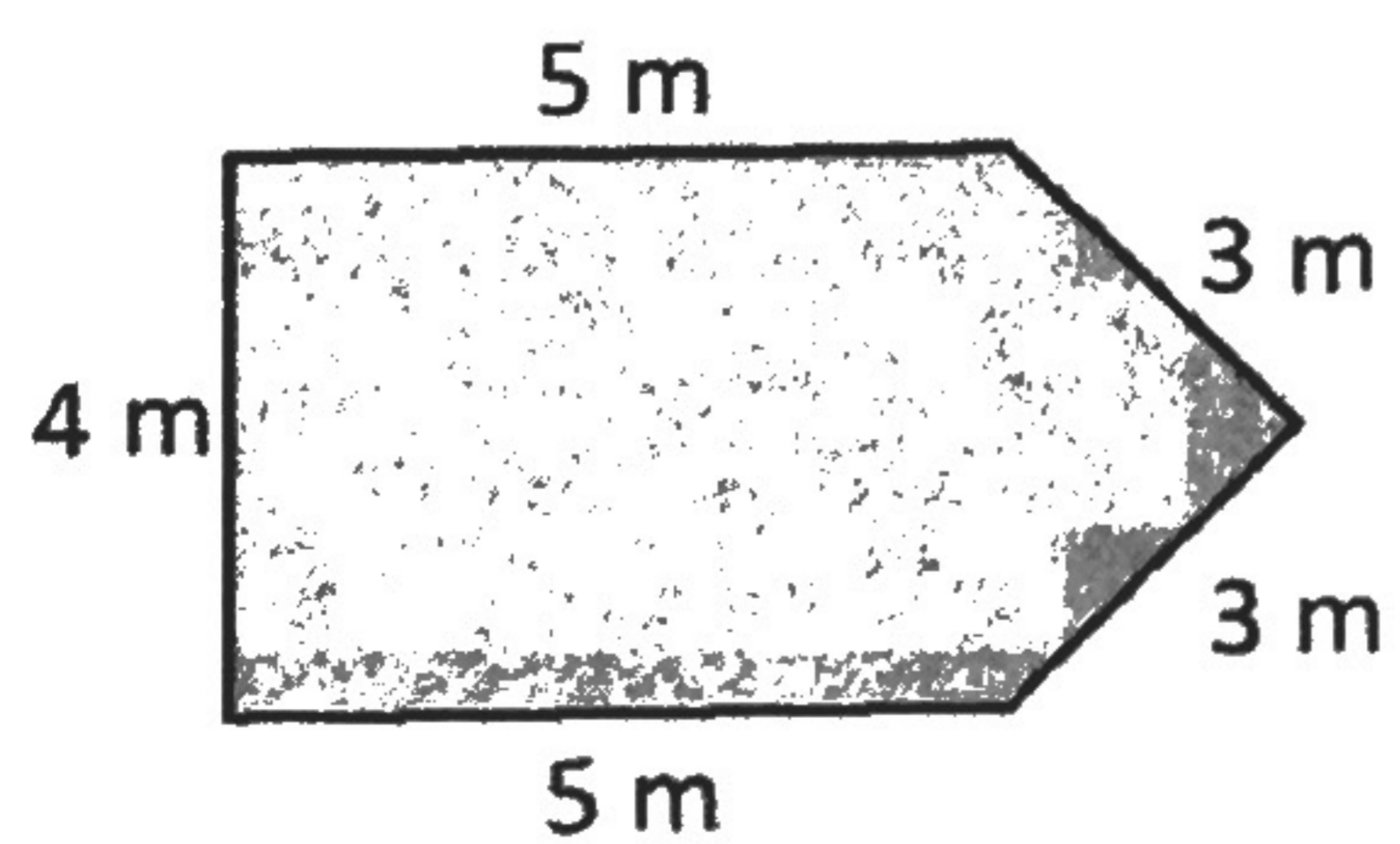
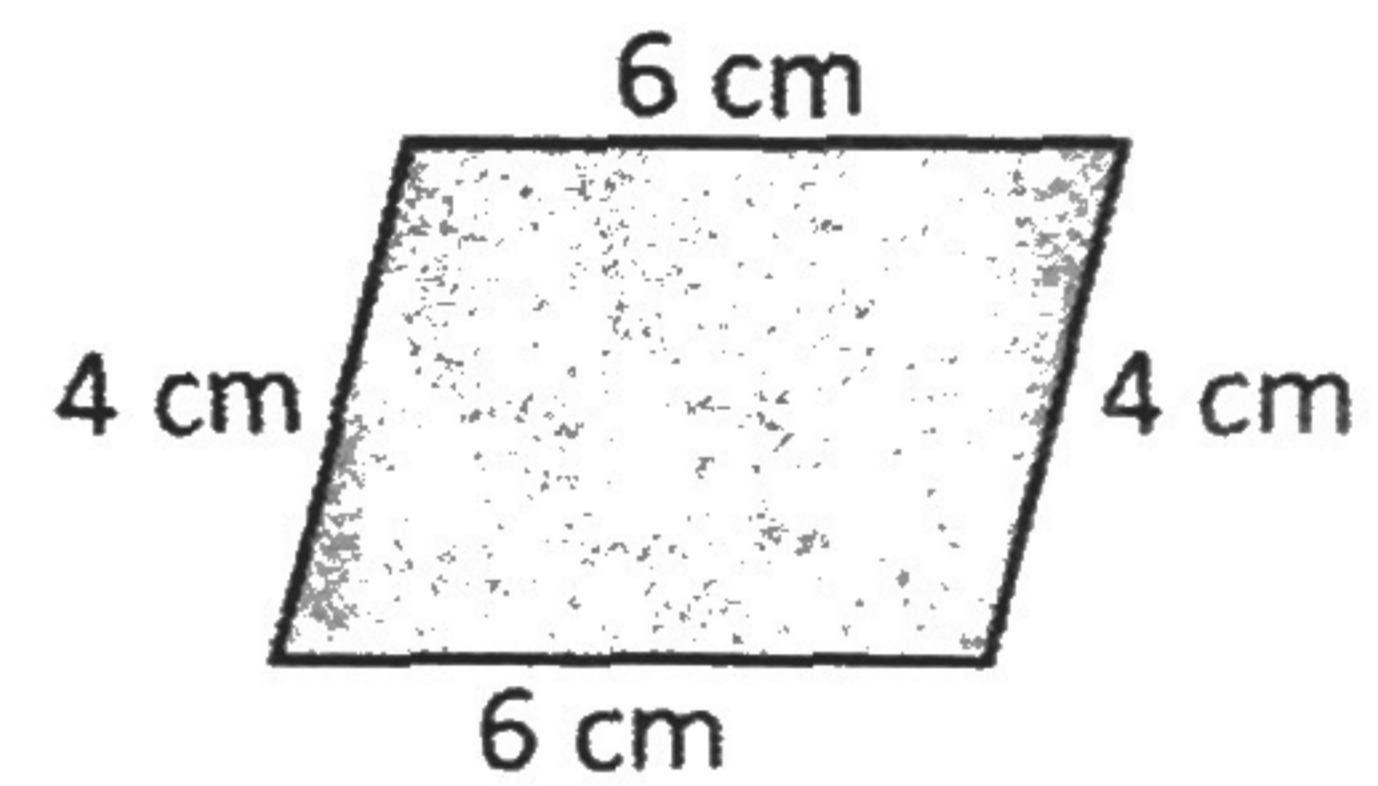
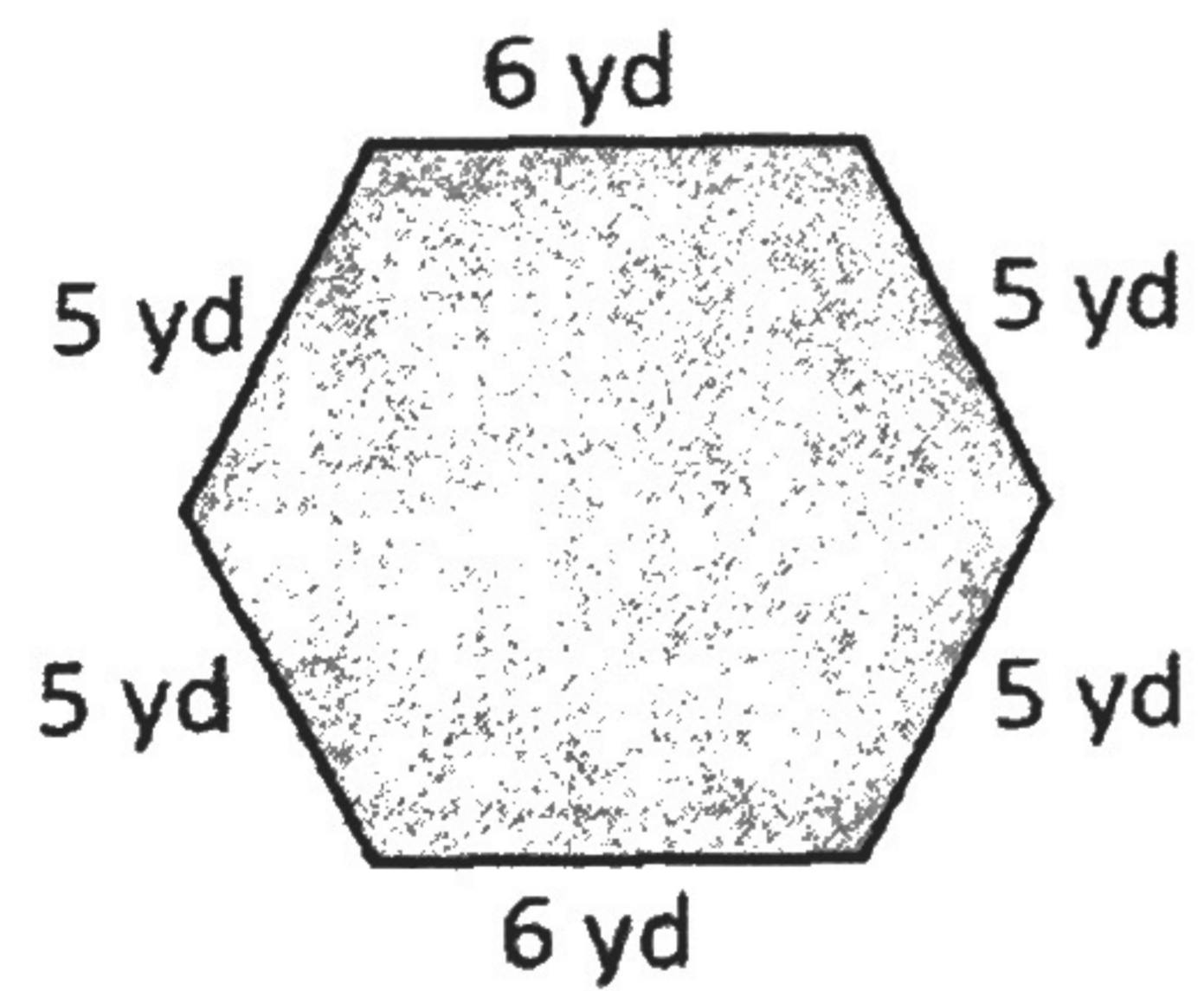
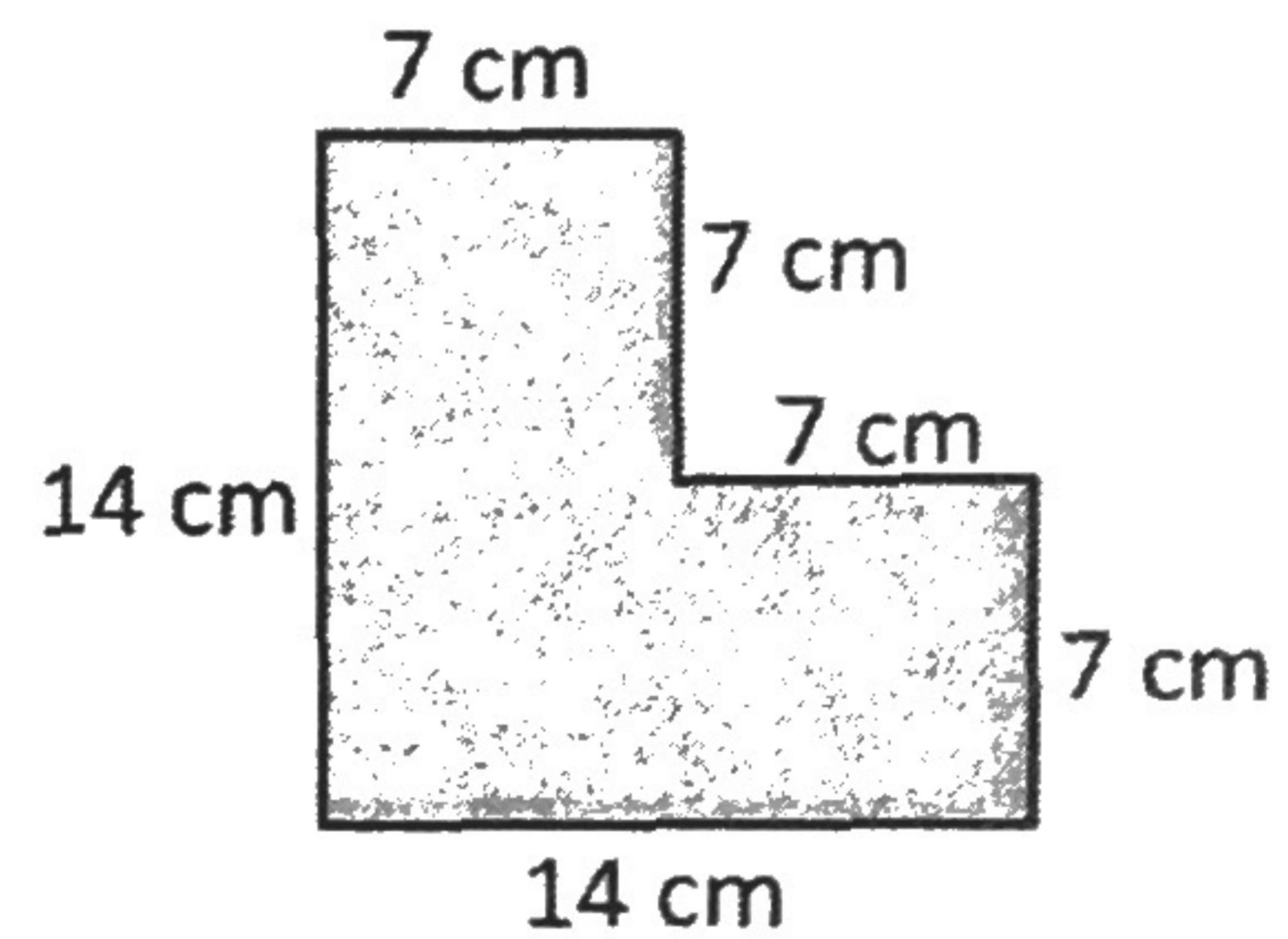
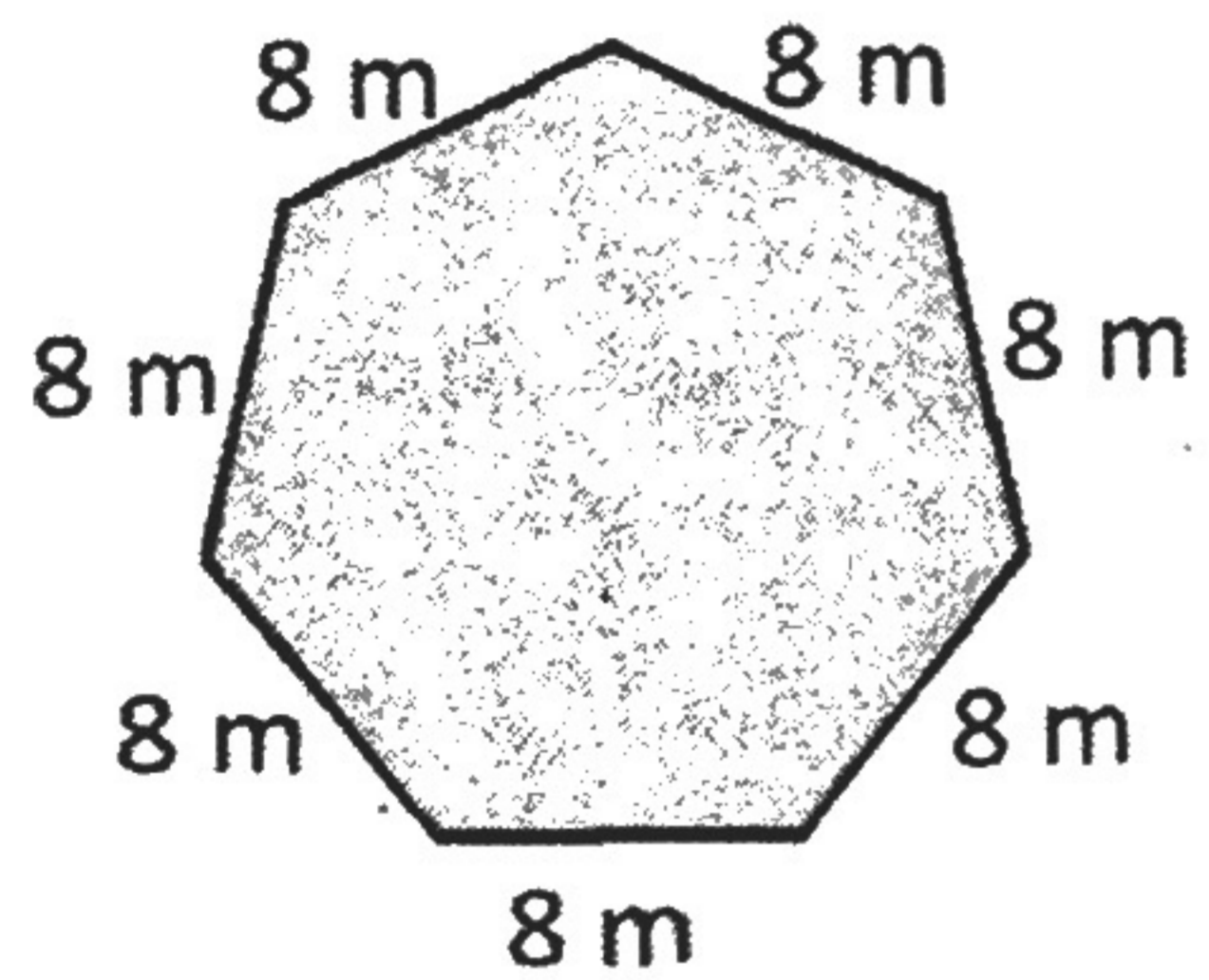
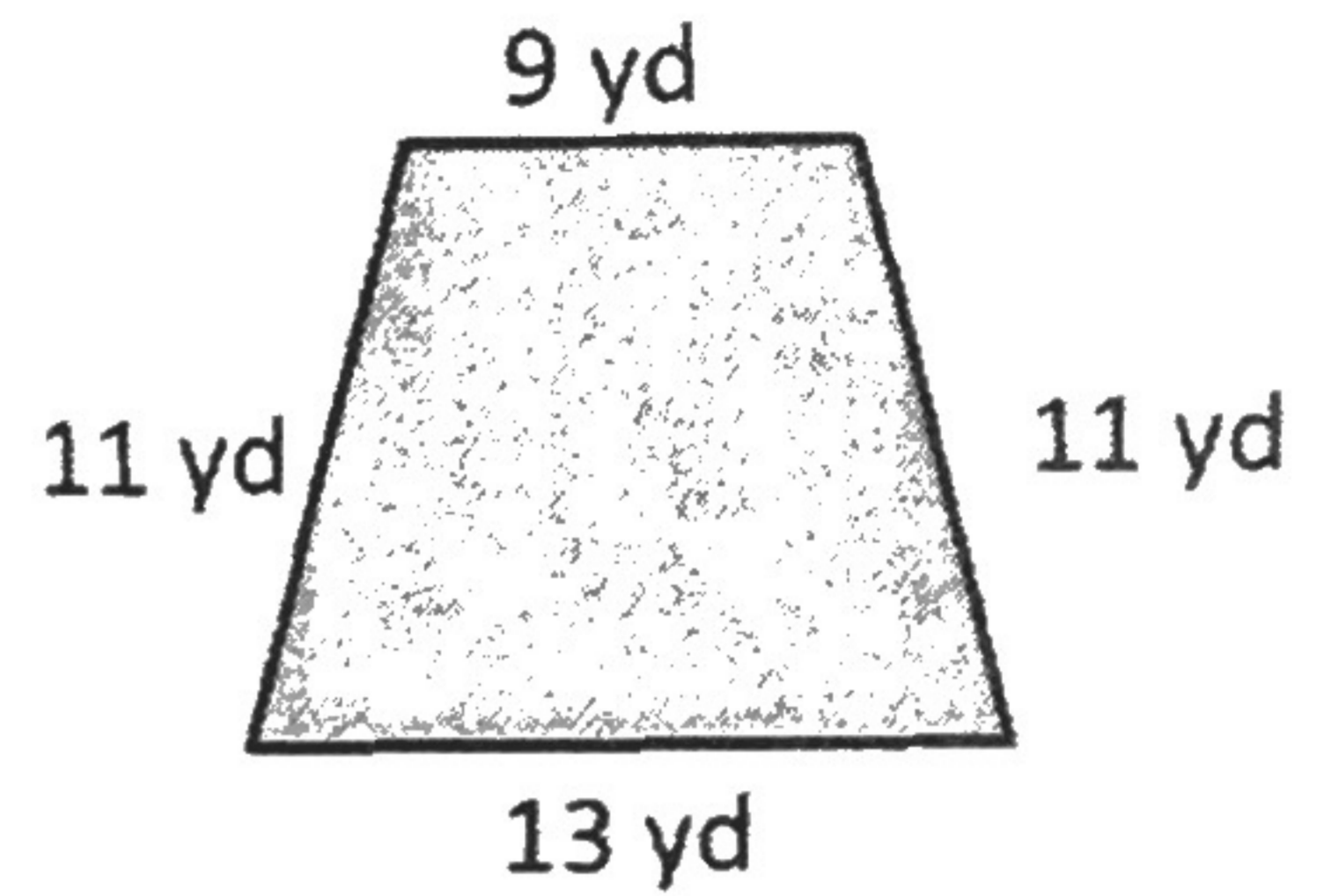
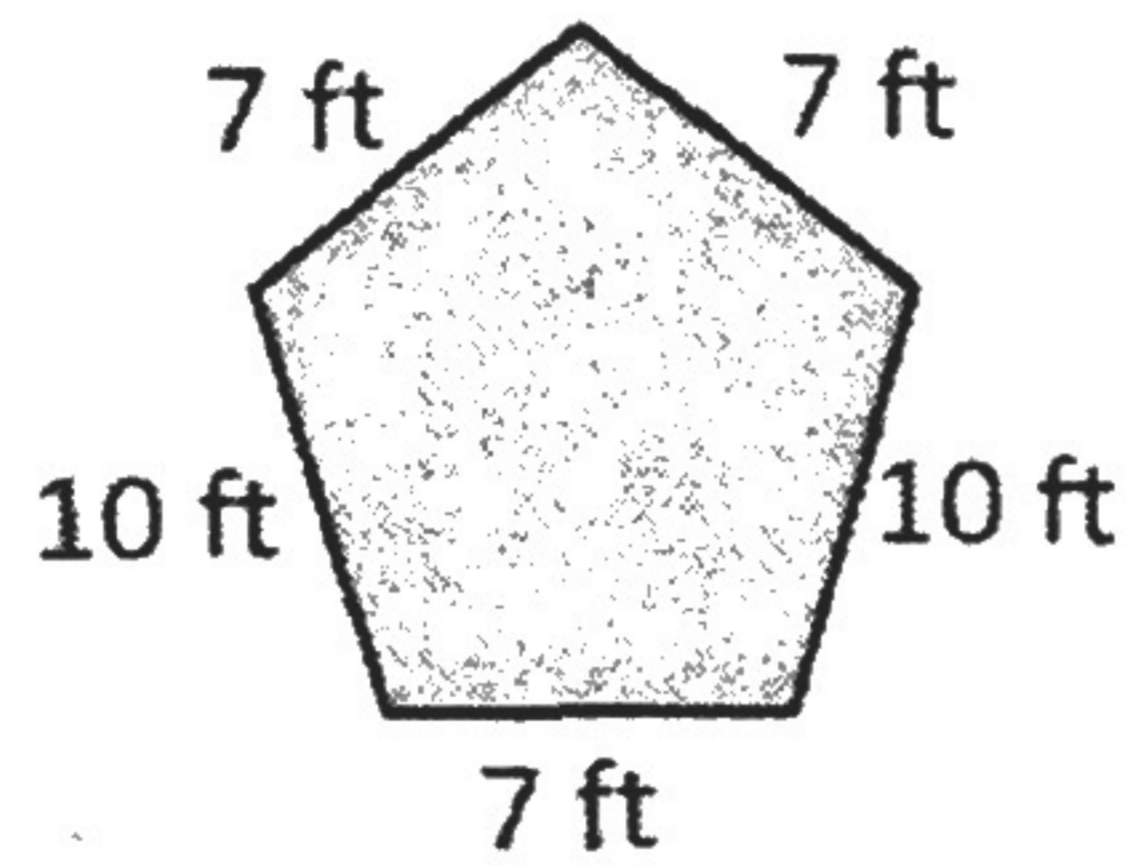
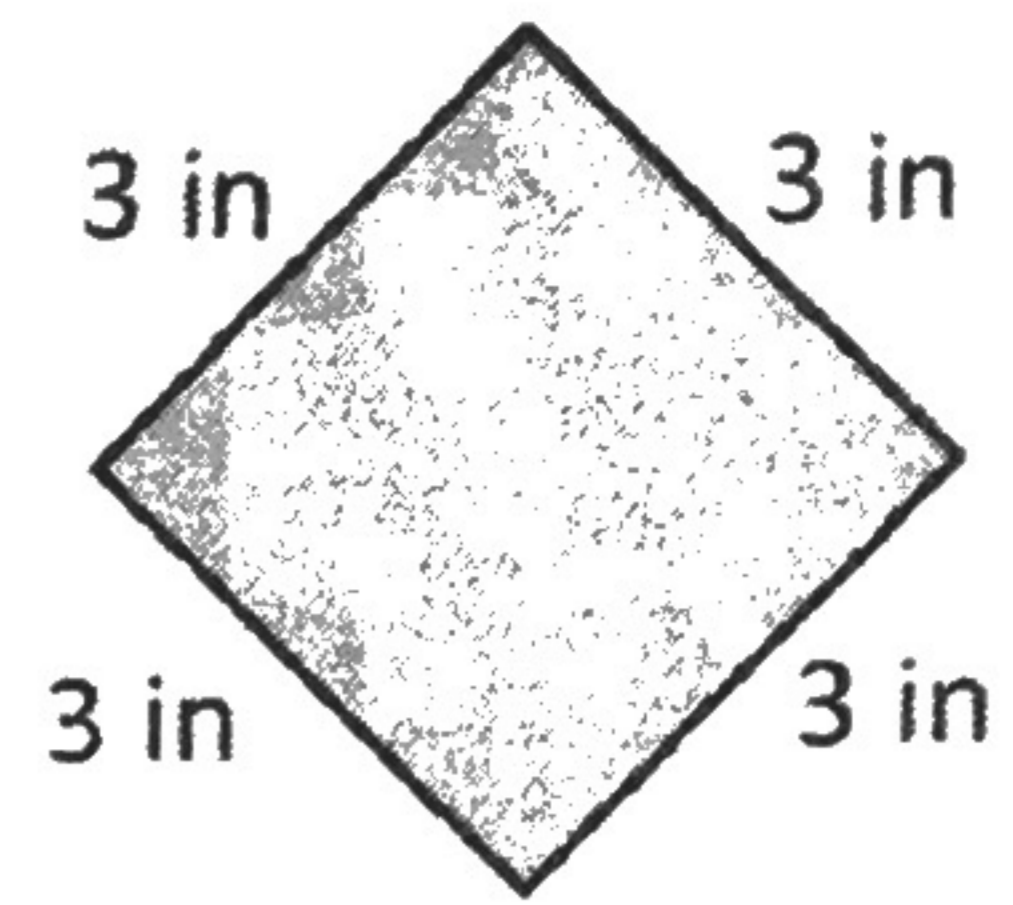
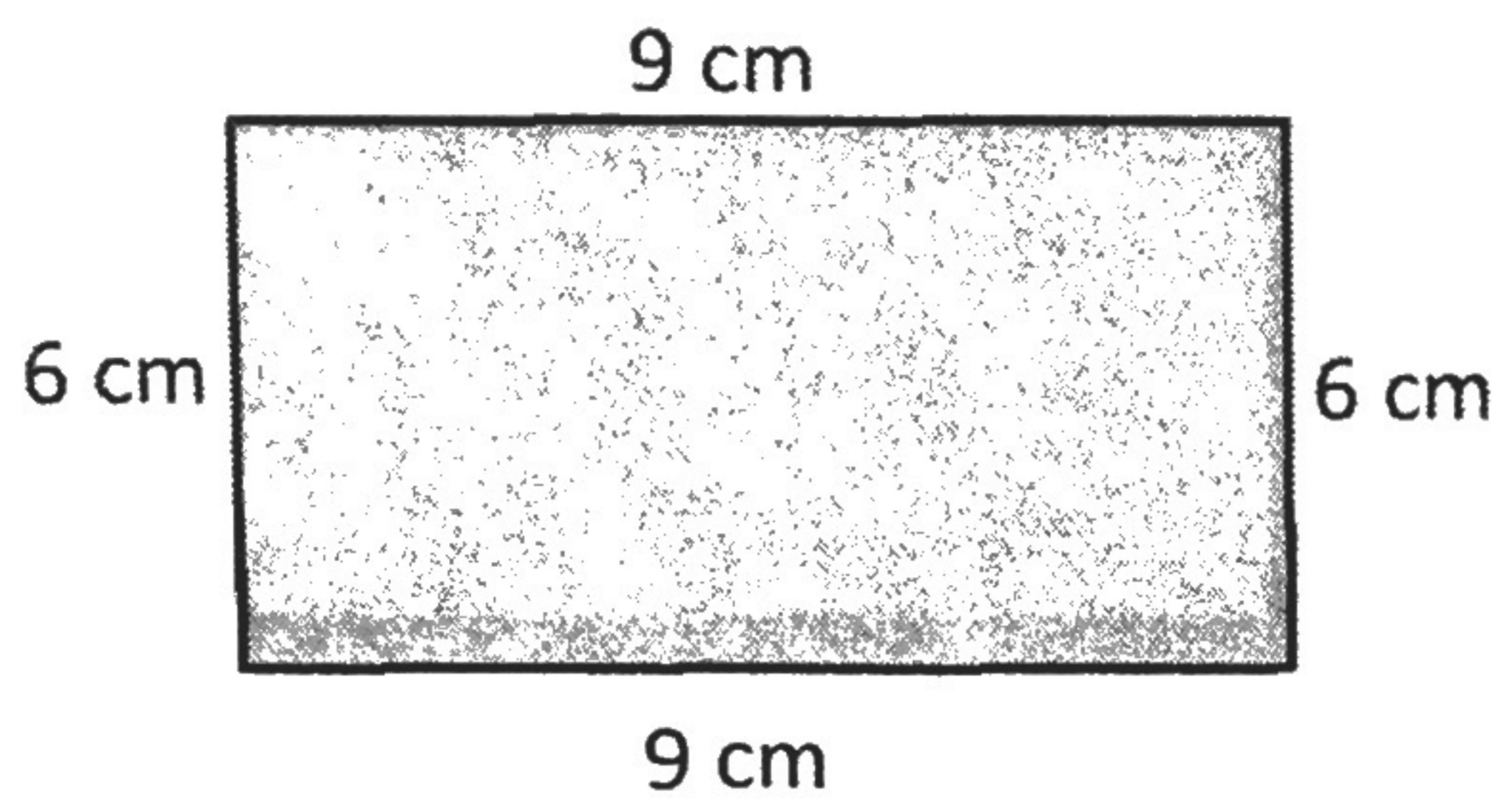
Players then calculate the perimeter for the shape pictured on their card. The player with the largest perimeter wins the round and takes the cards.

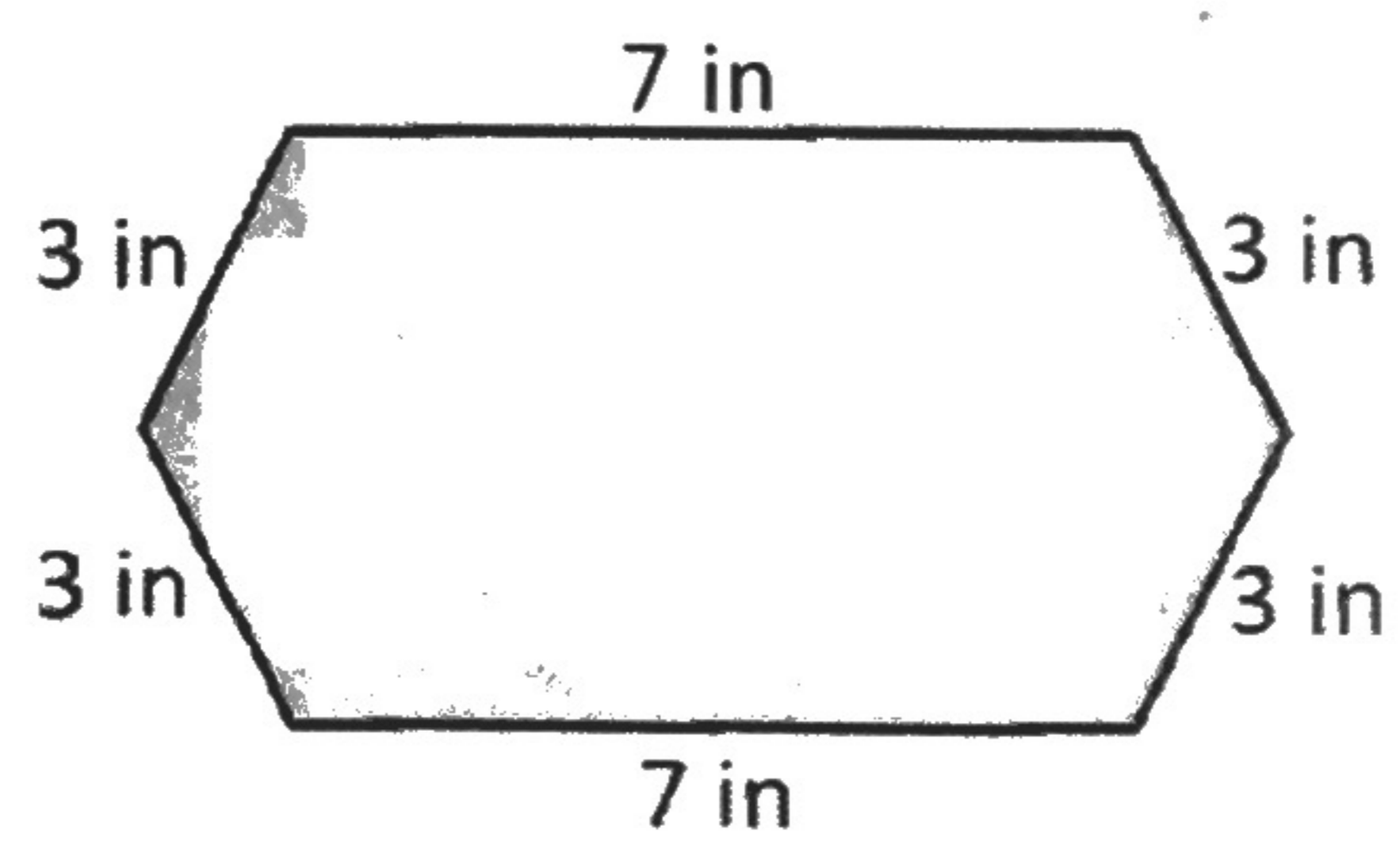
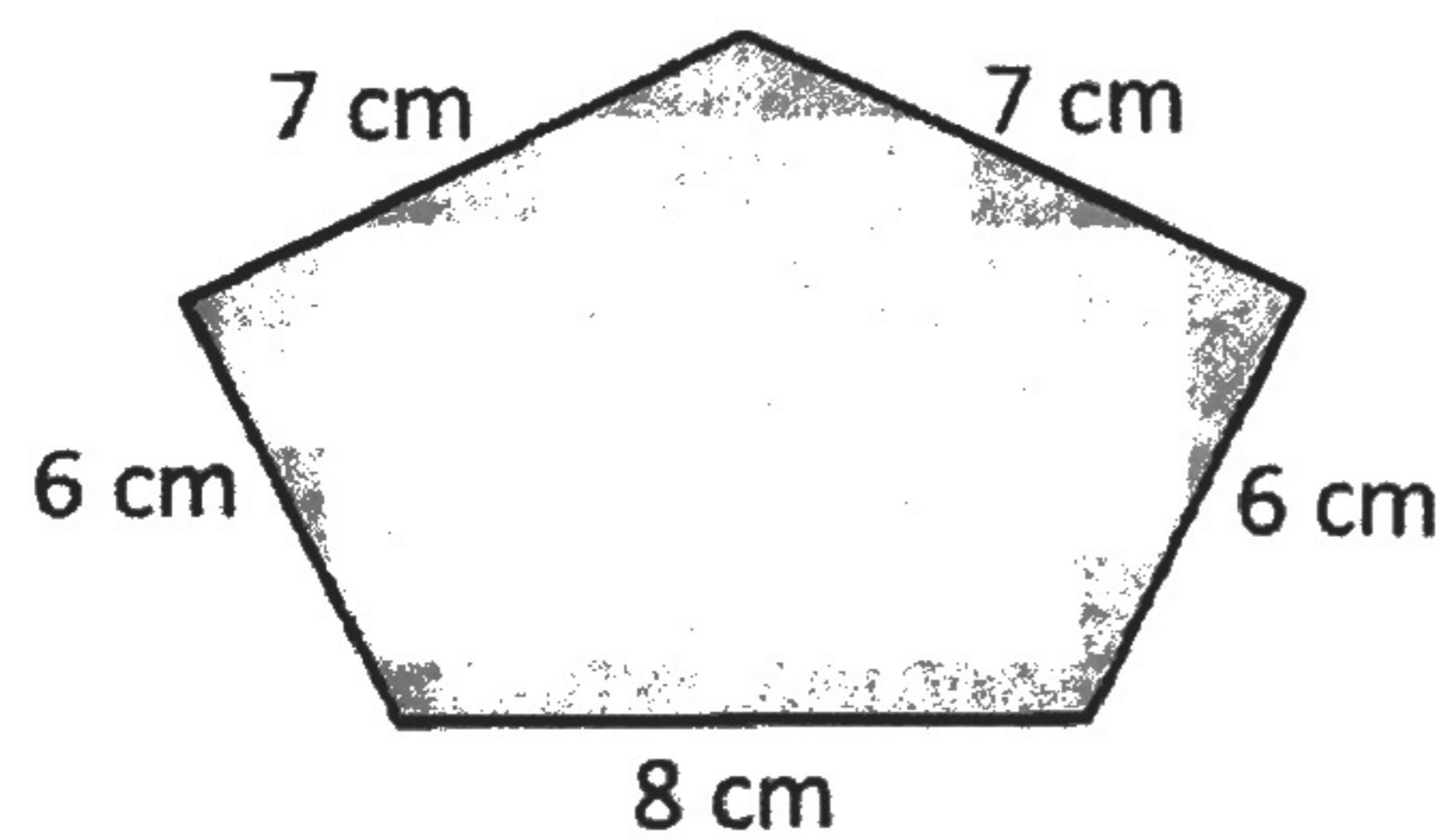
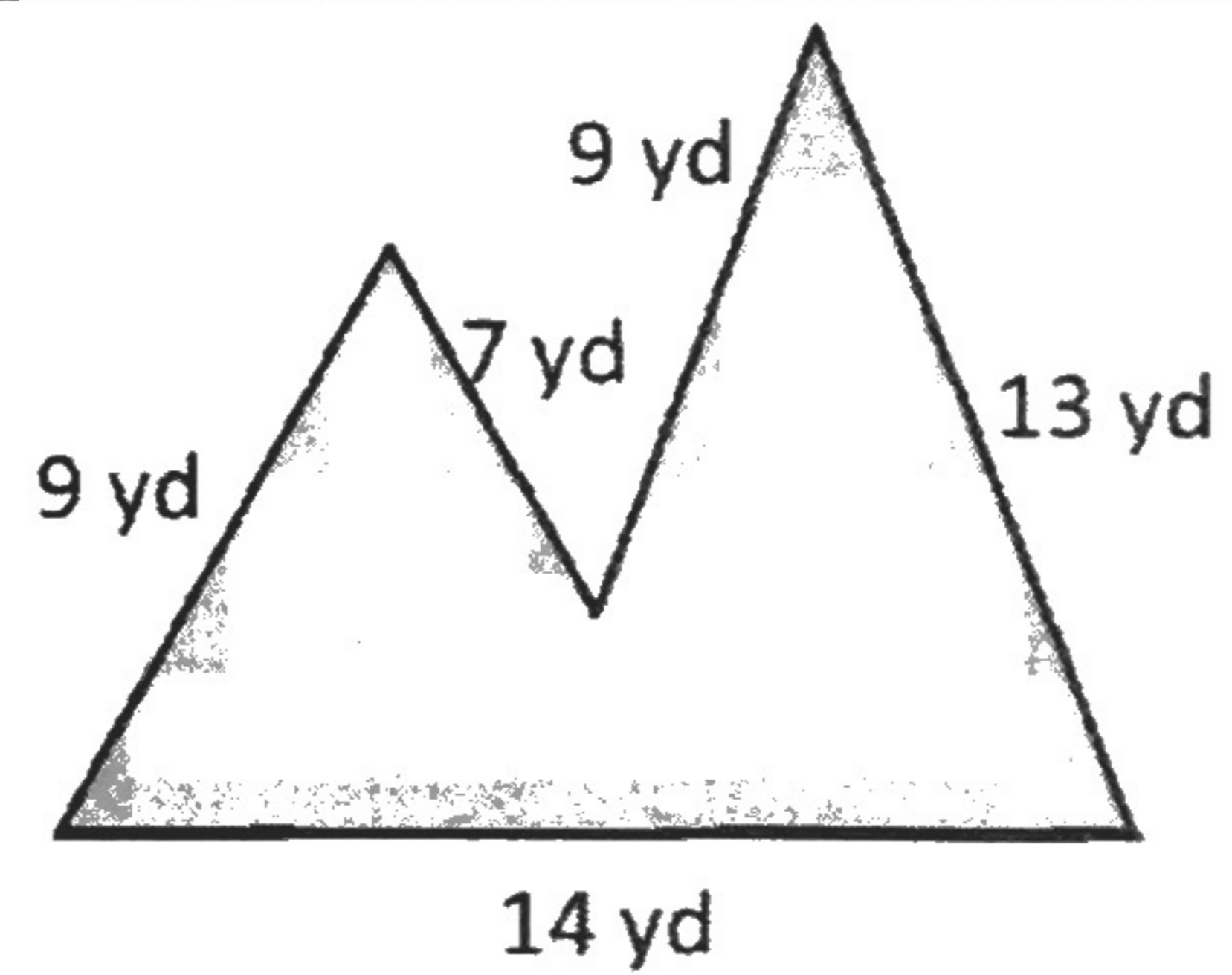
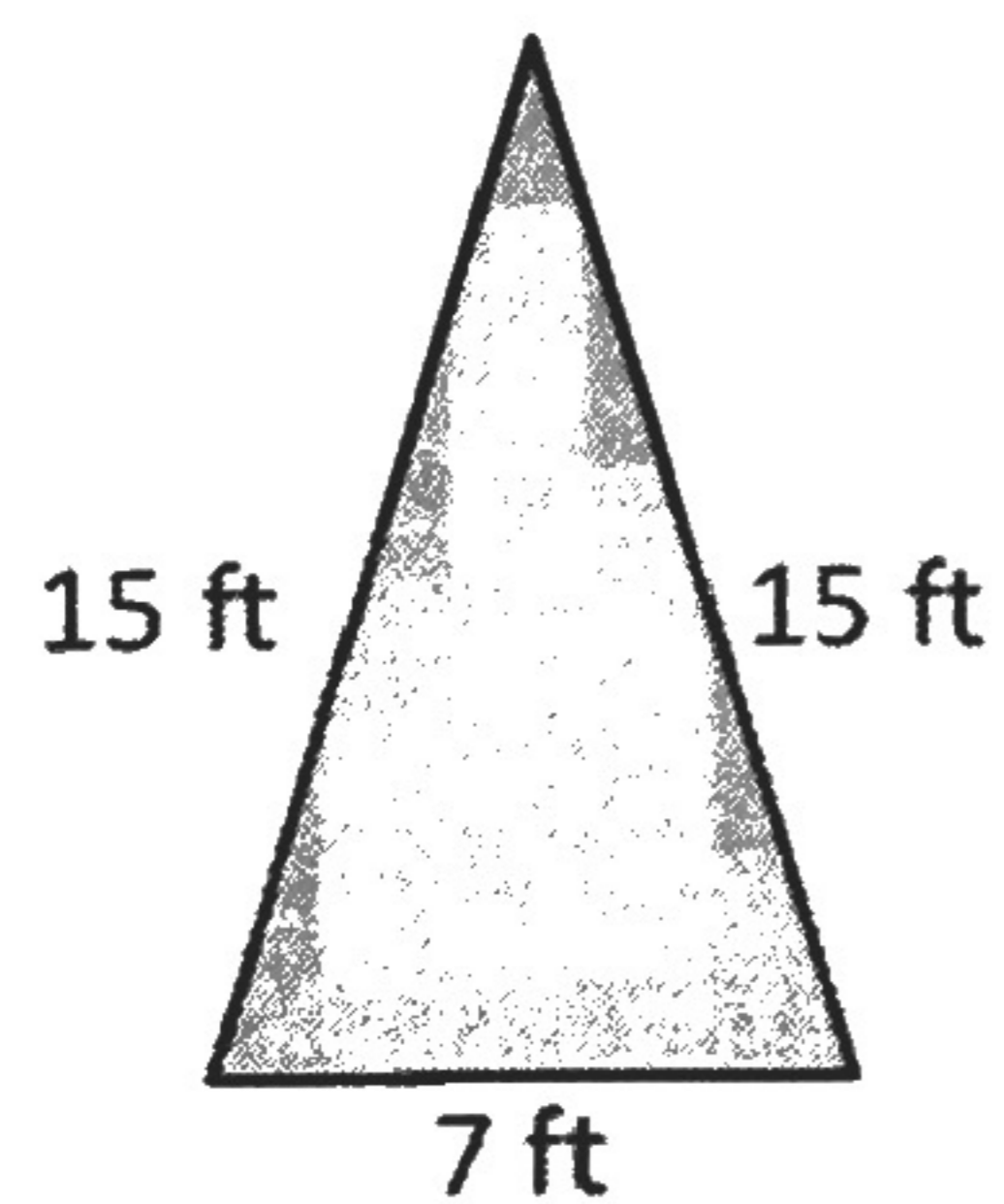
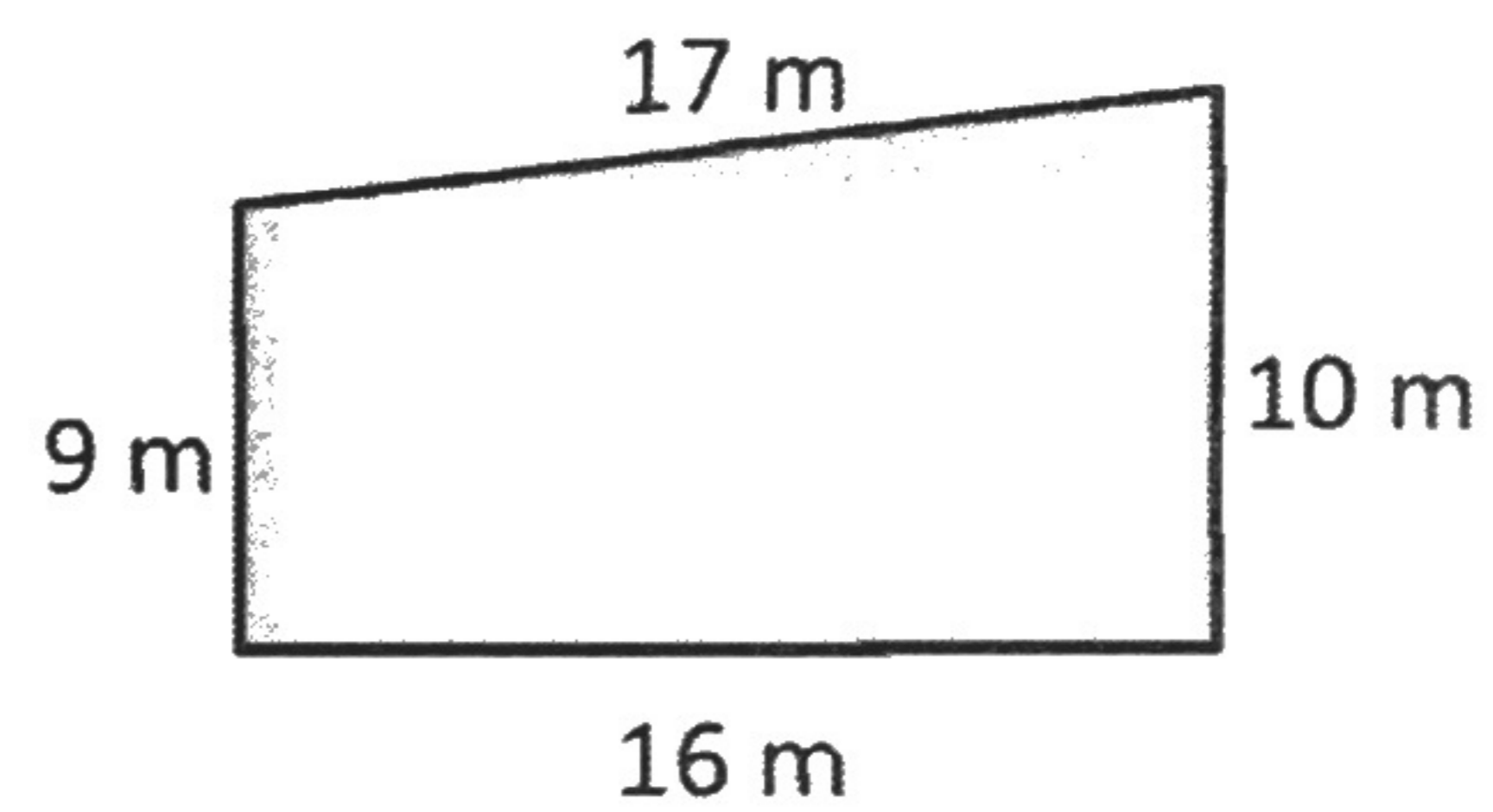
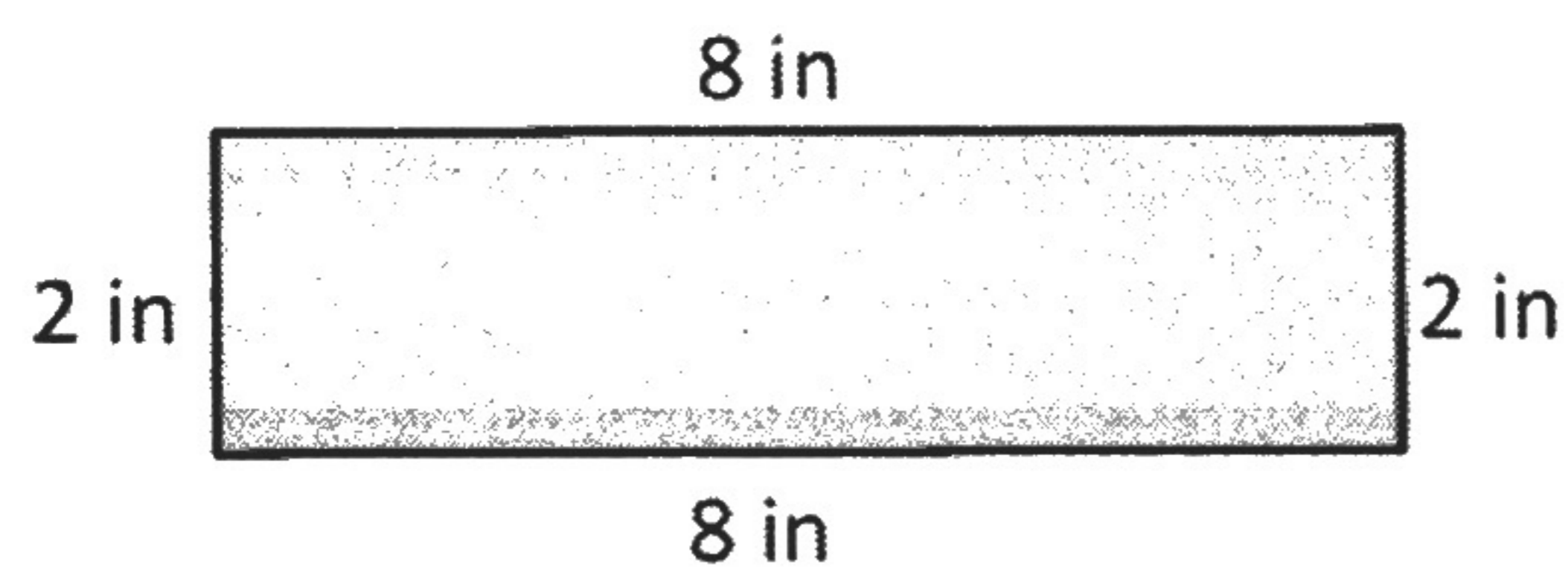
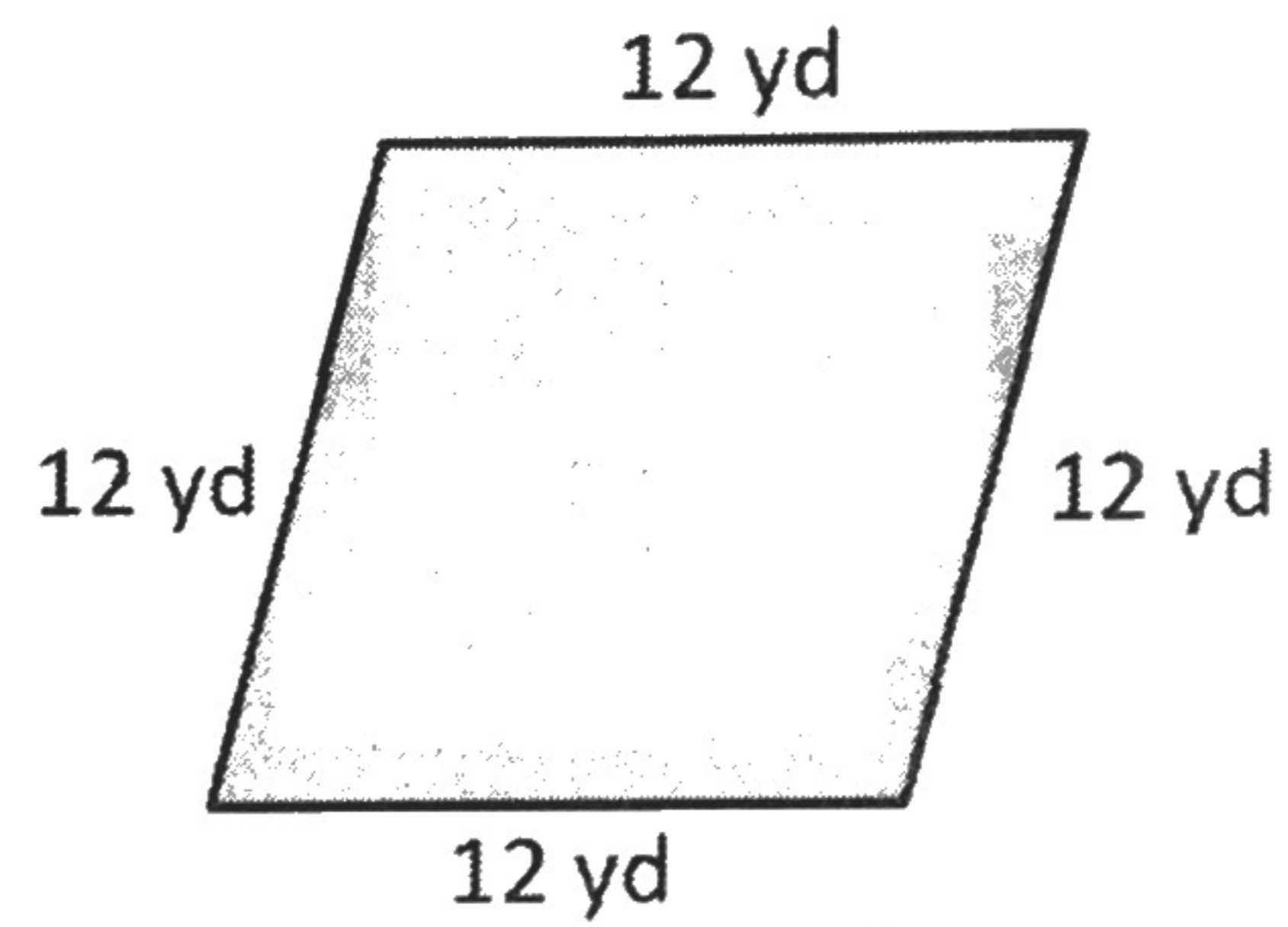
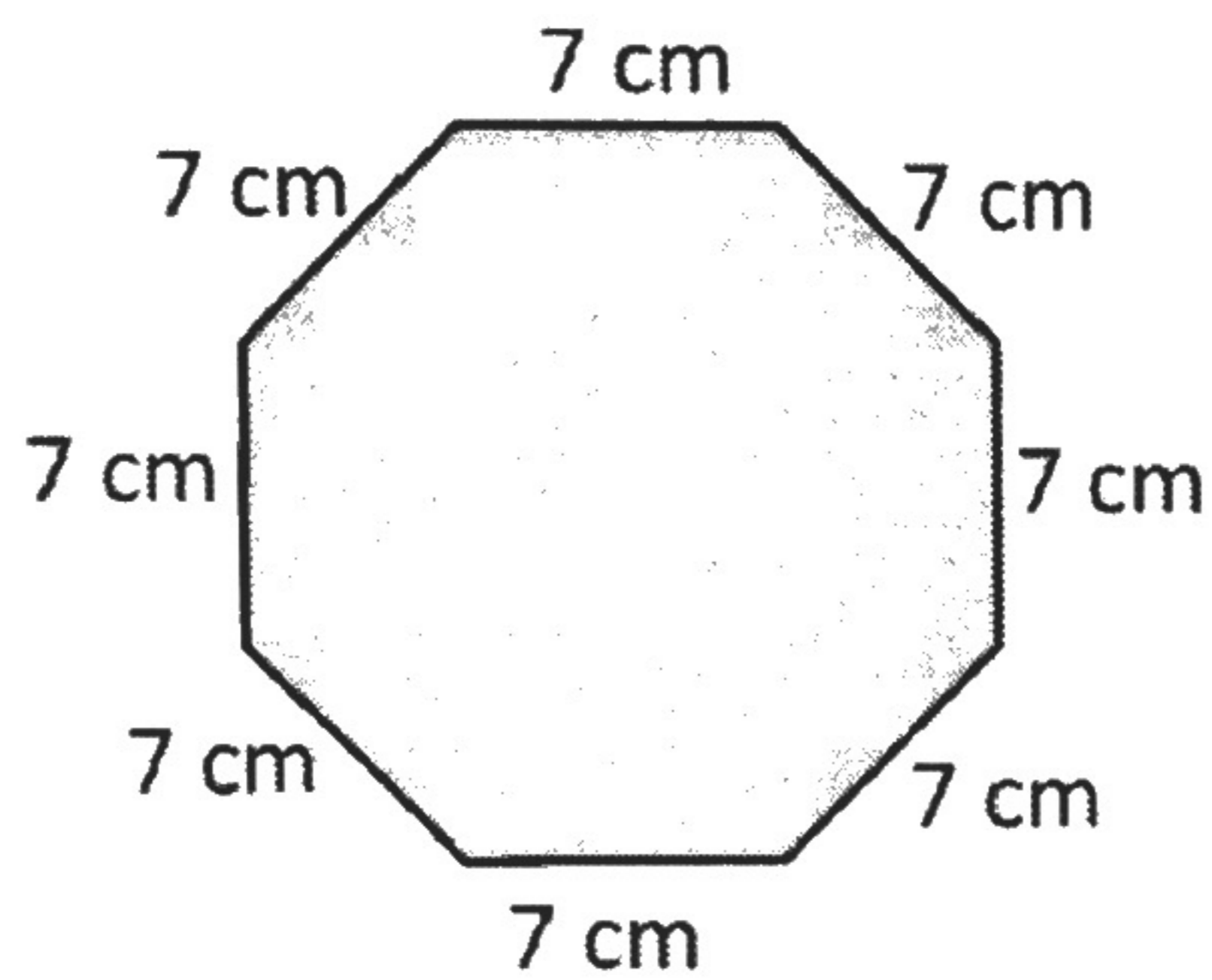
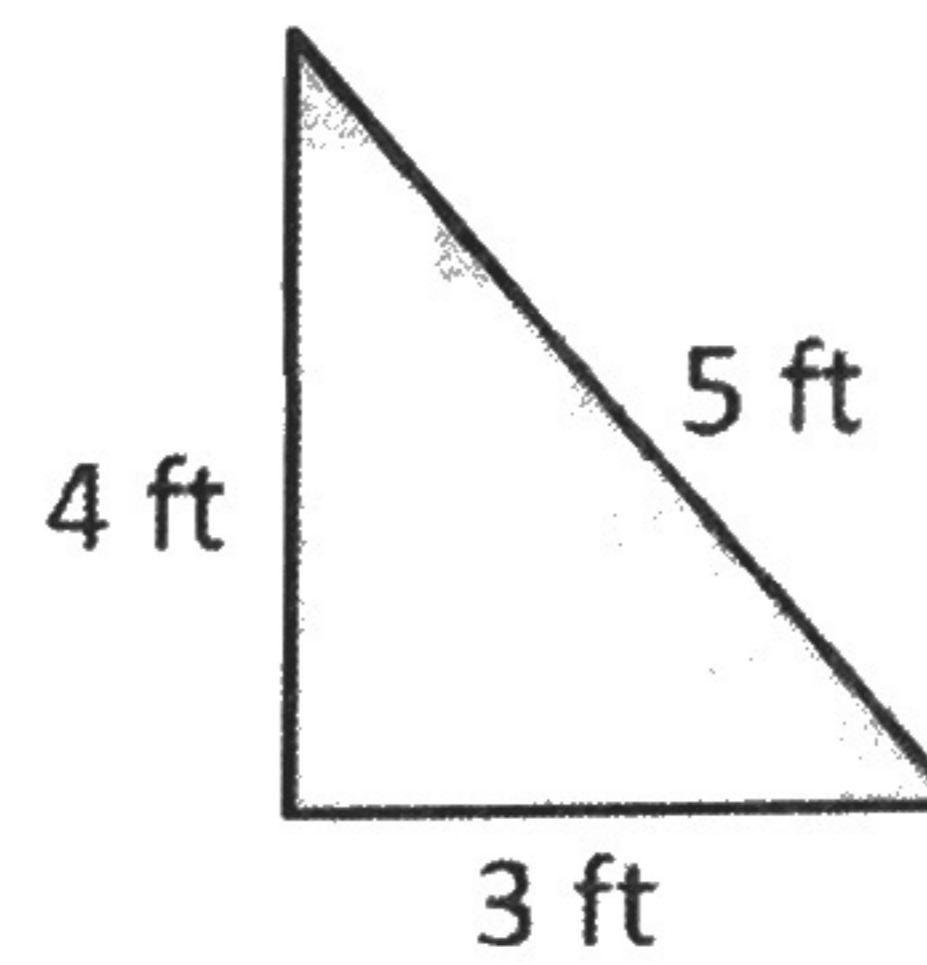
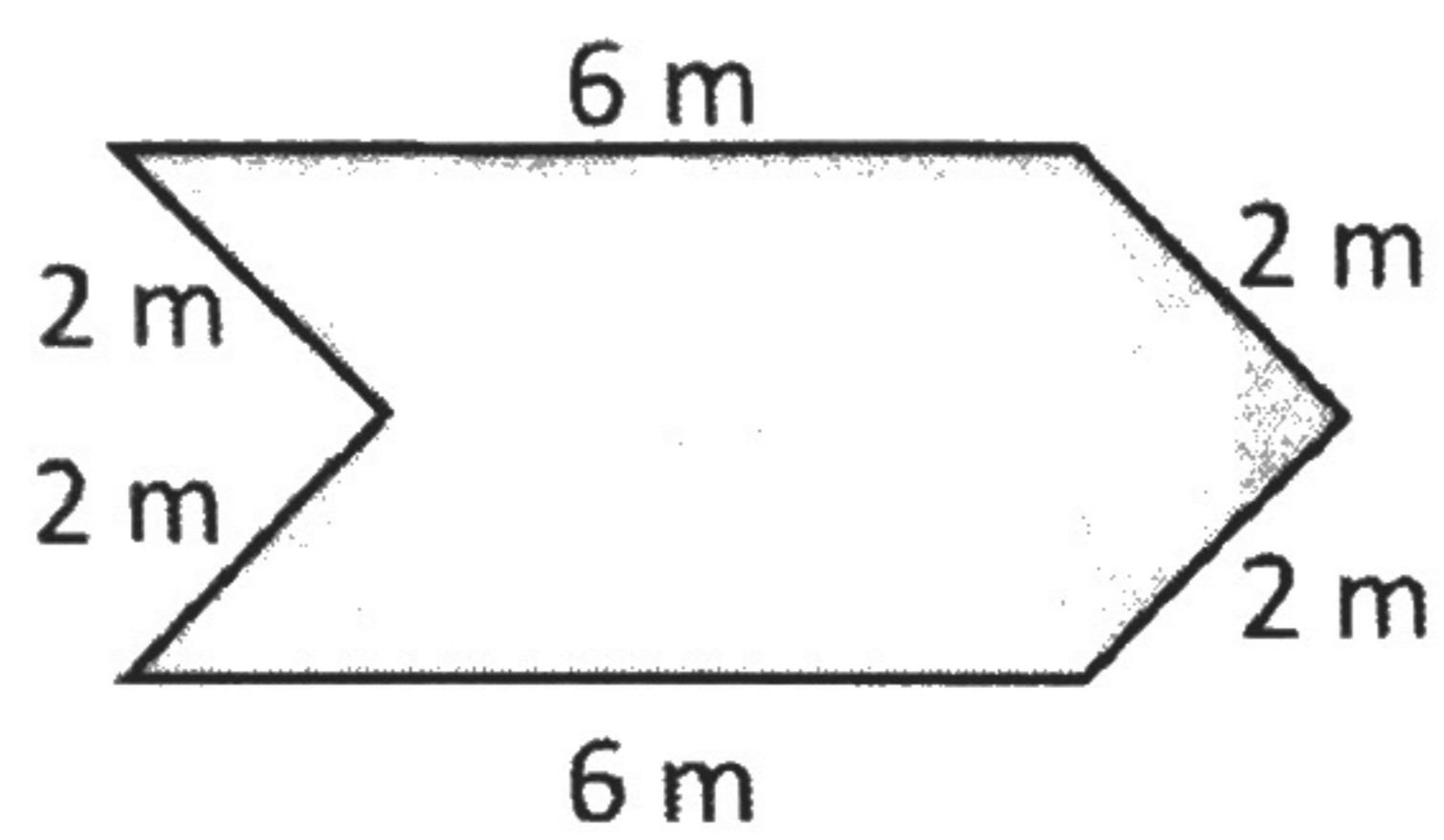
Note: Players should be encouraged to use scrap paper to help with calculations if need be.

The player with the most cards by the end of play wins the game.

Advanced Version:

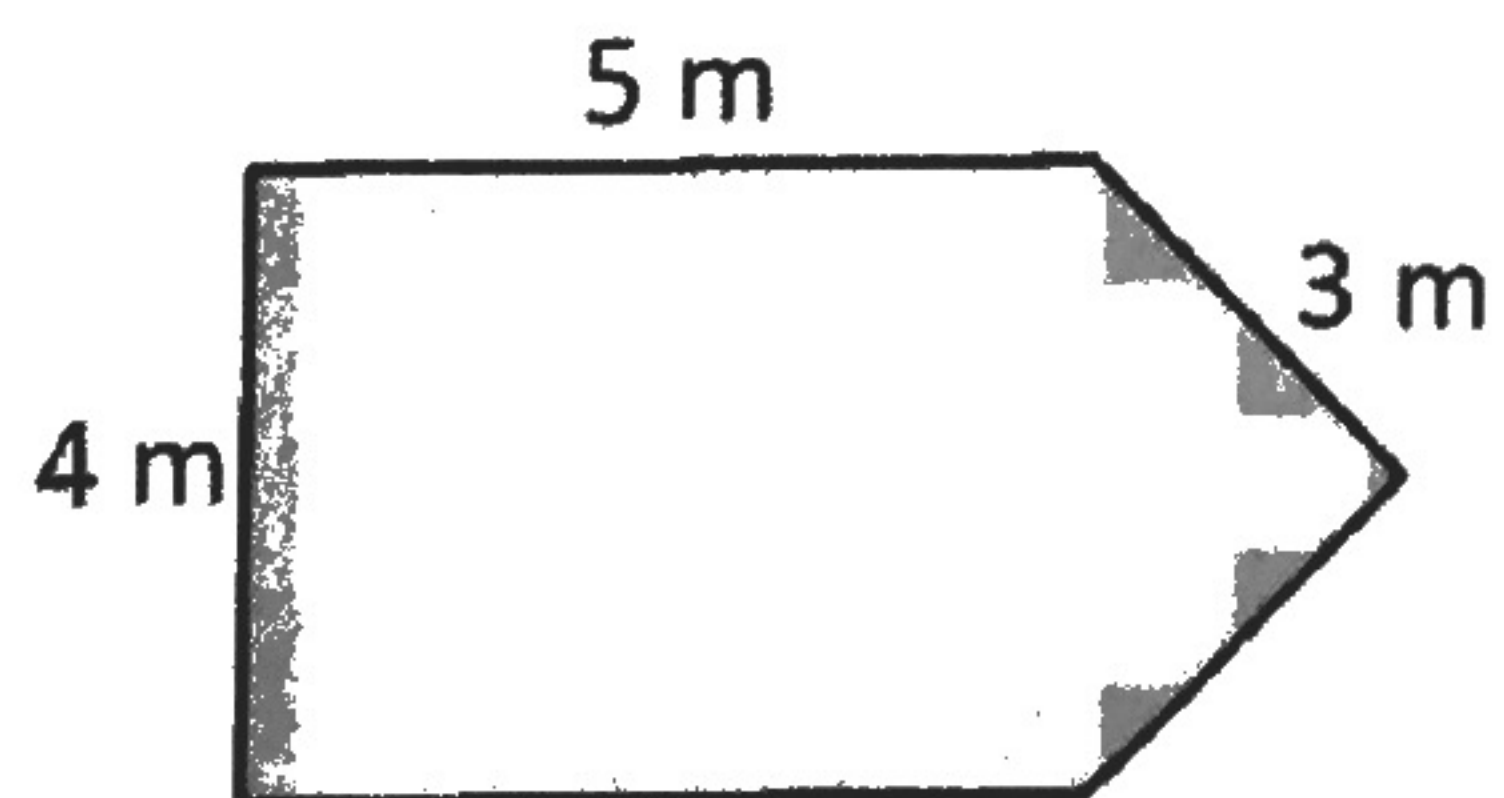
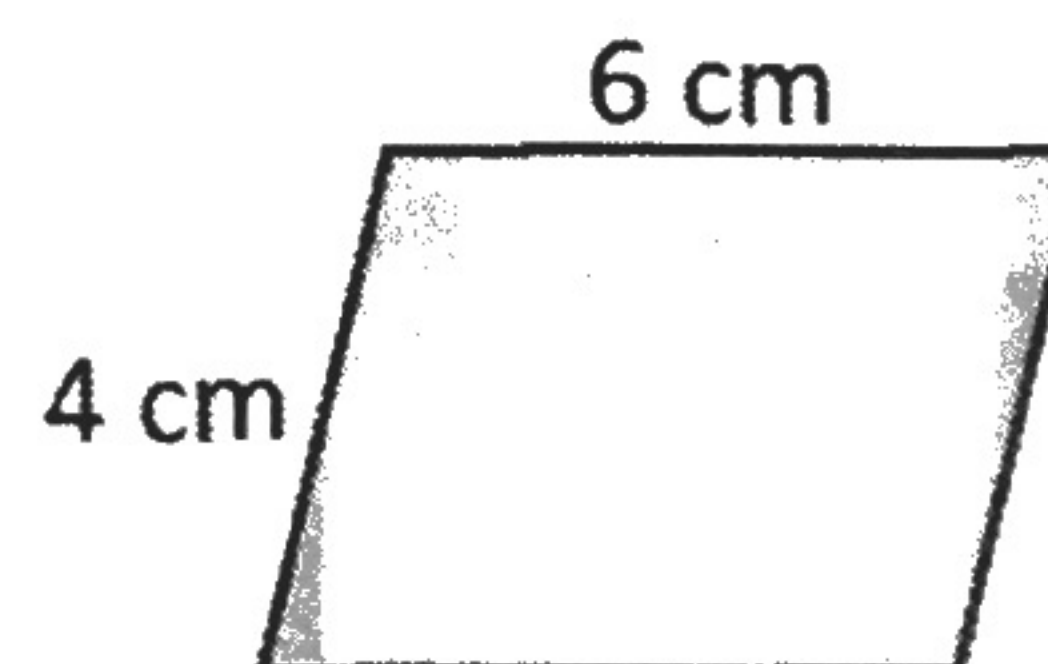
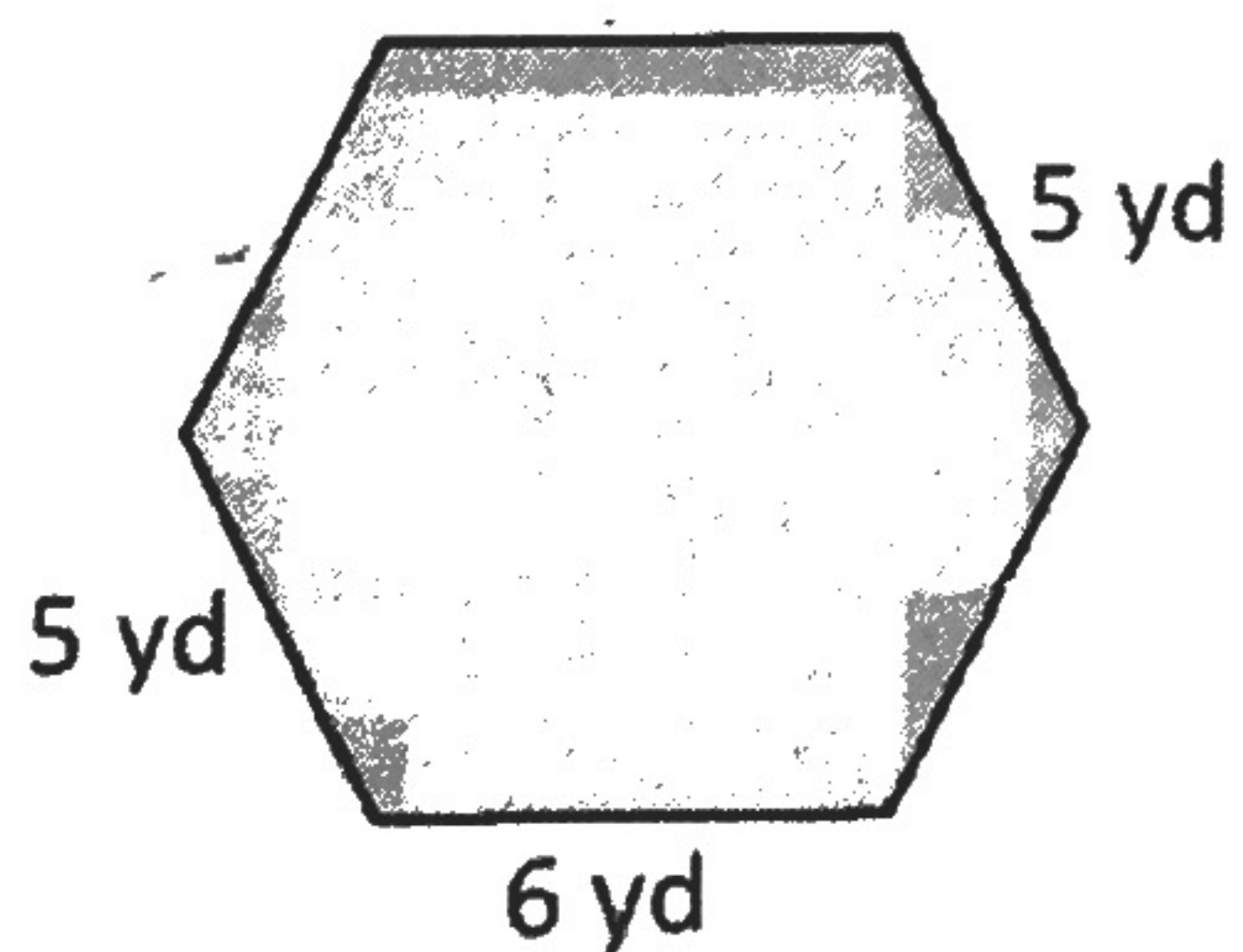
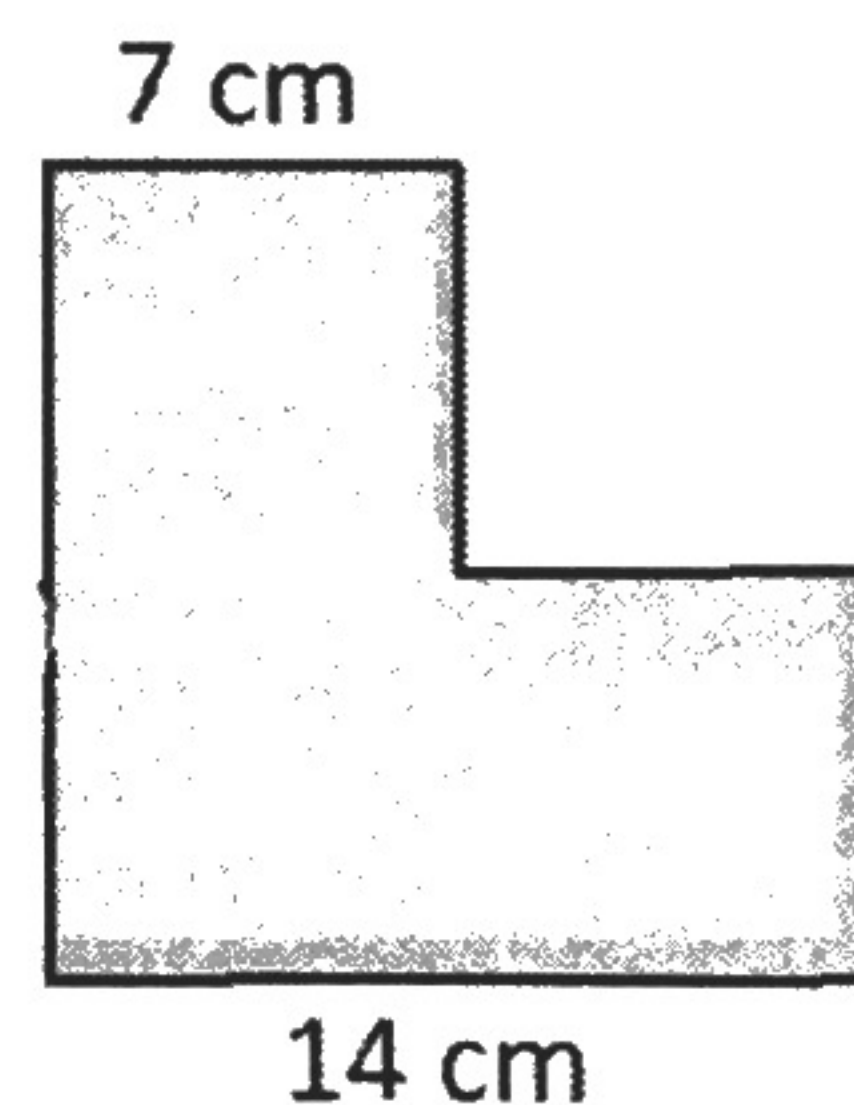
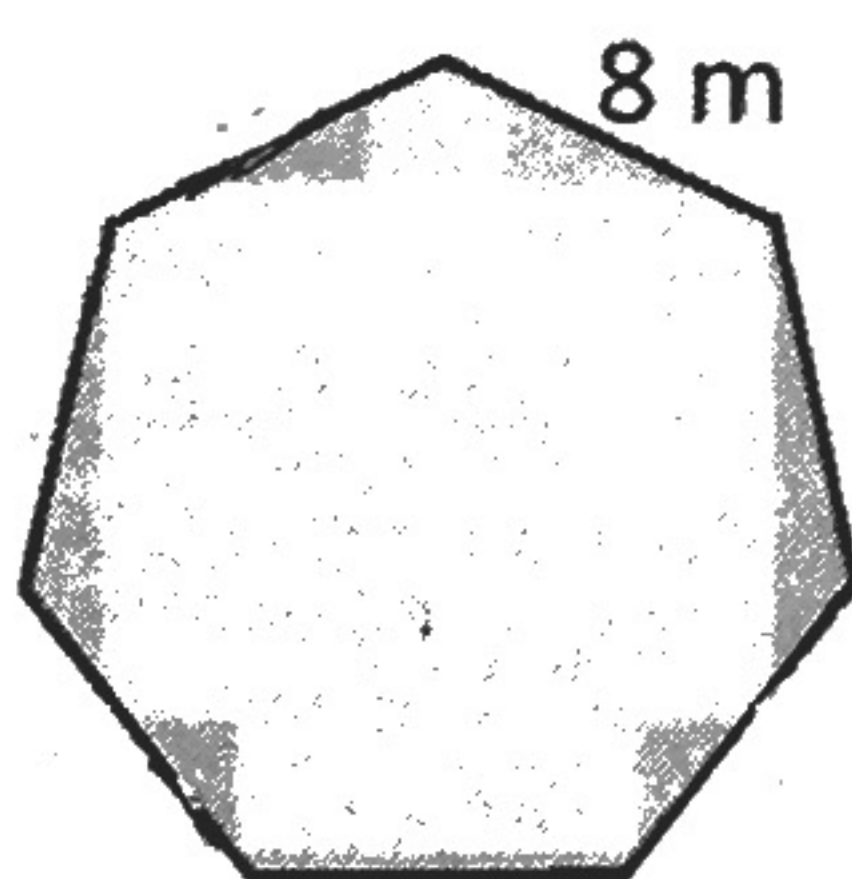
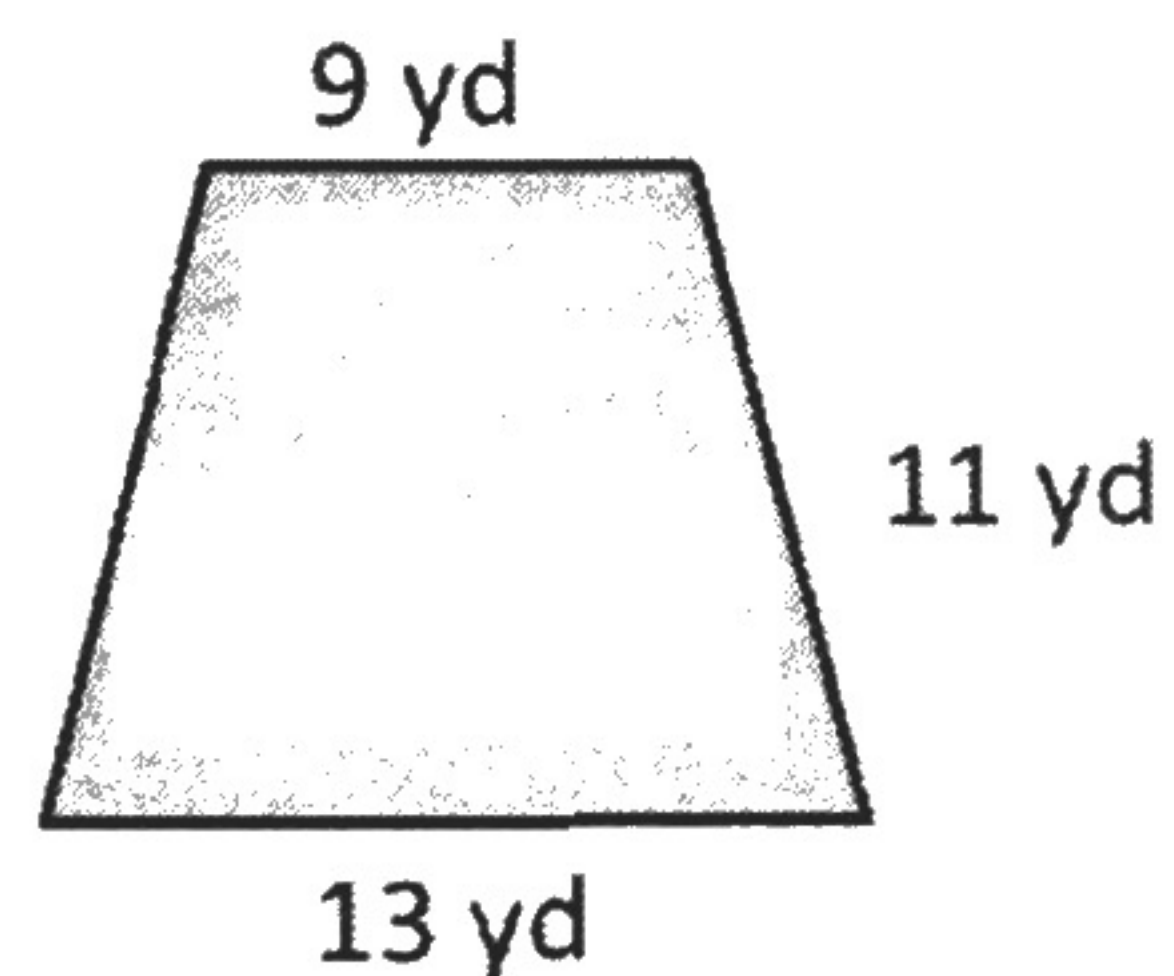
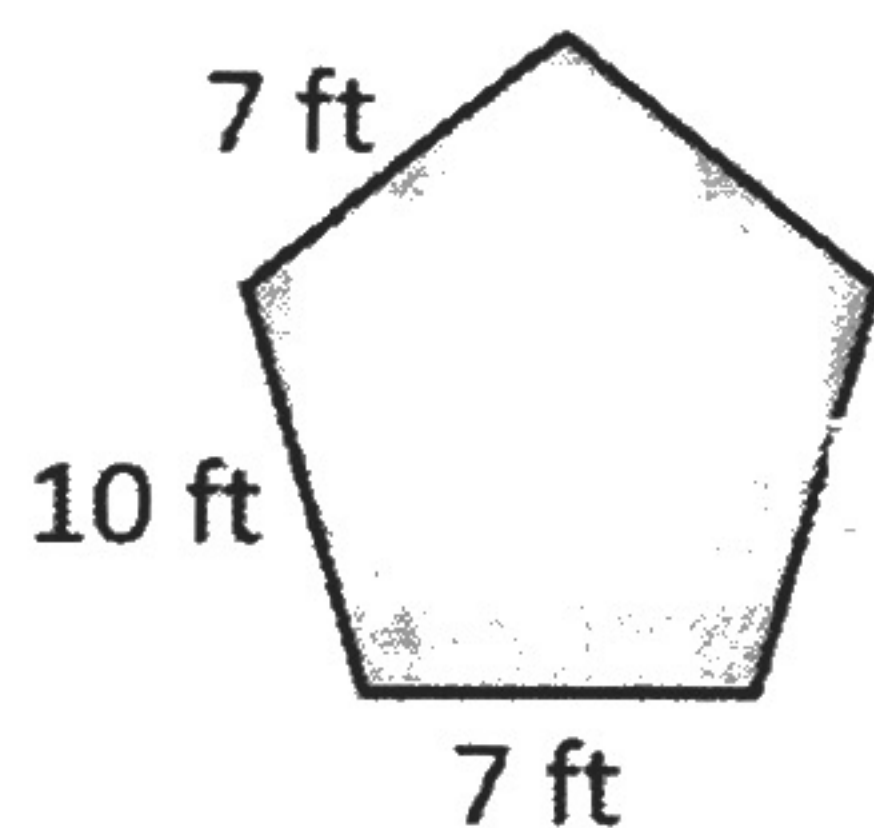
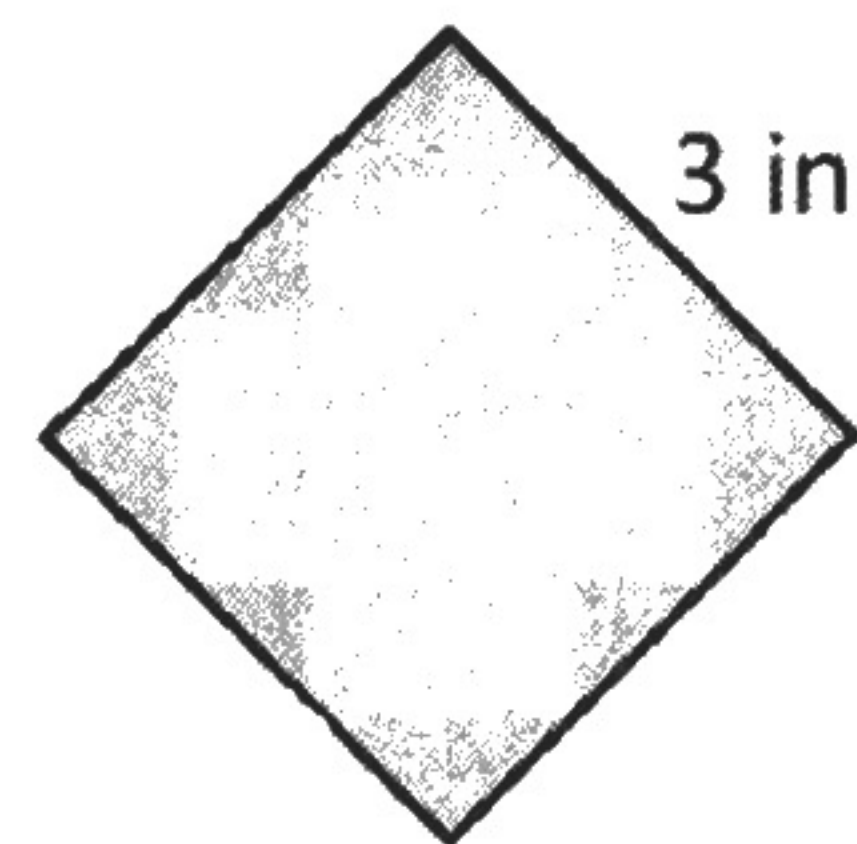
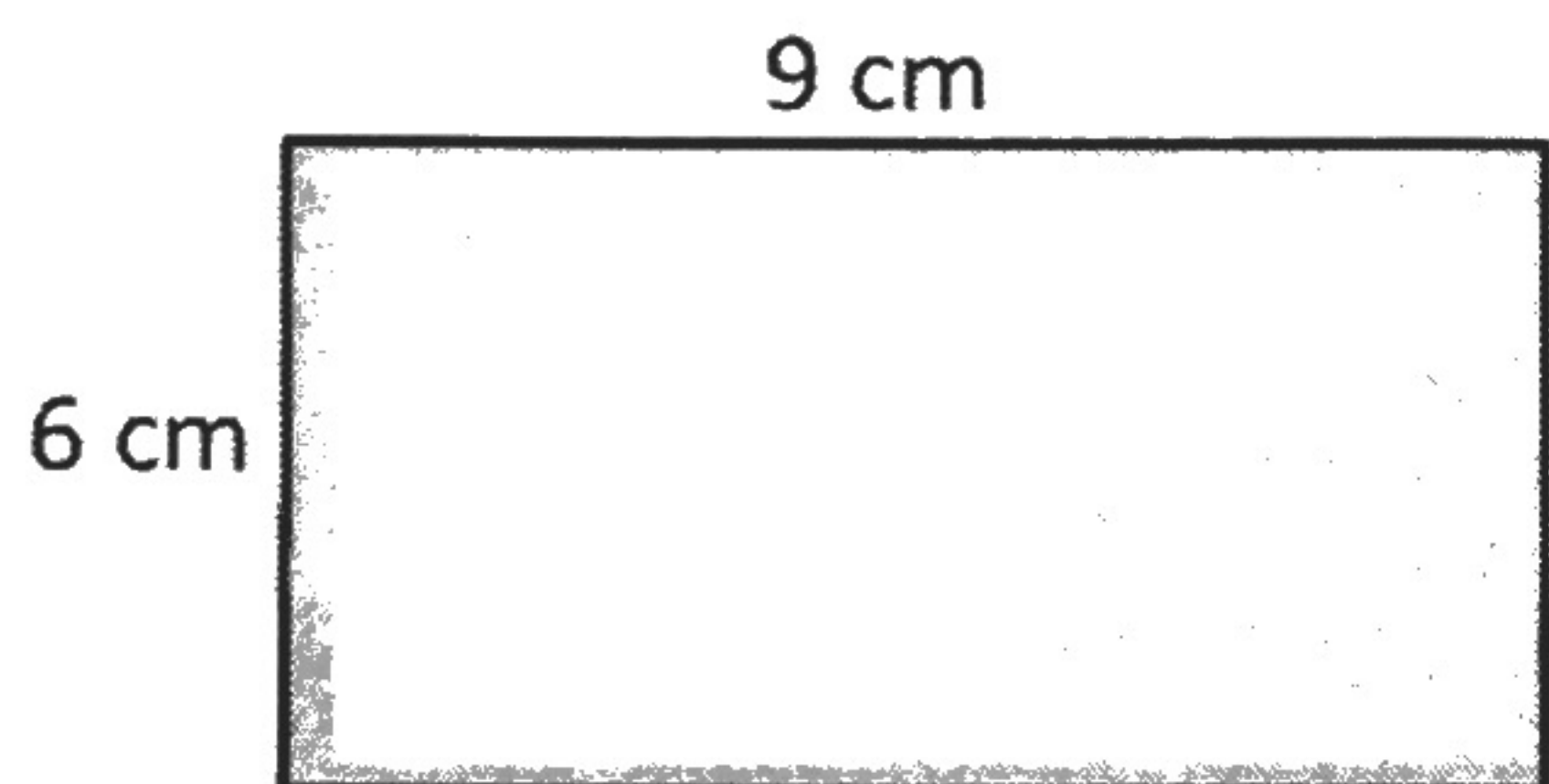
Players play with an advanced deck of cards. The length of some sides are missing. Players must use their knowledge of shapes and perimeter to help them calculate the perimeter for their shape.





Advanced Perimeter Cards

Note: Each template page must be copied separately for students to cut out the cards.



Advanced Perimeter Cards

